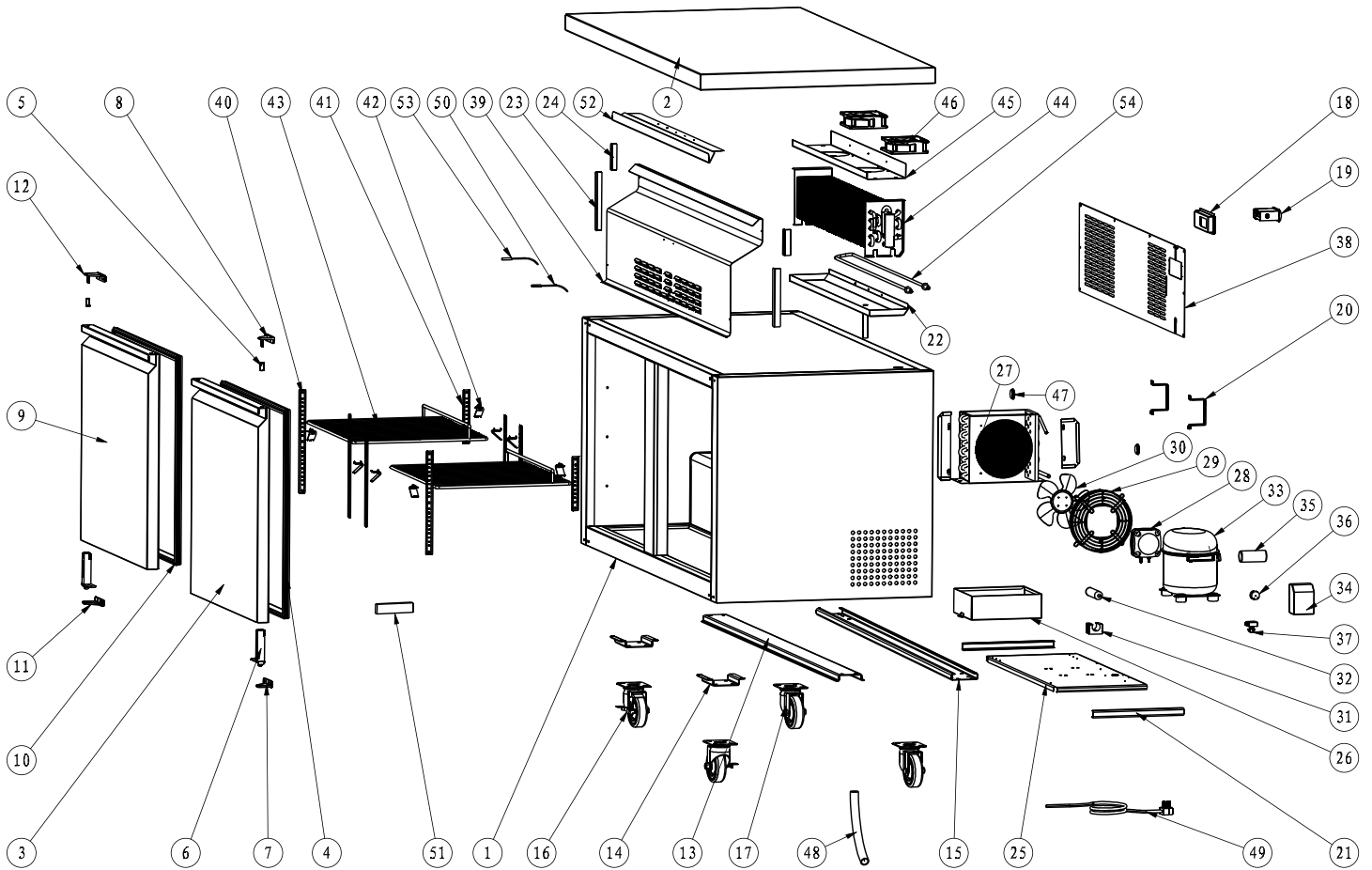


Parts Breakdown

Model **FR-CN-1219-BS-HC** 50096



Parts Breakdown

Model FR-CN-1219-BS-HC 50096

Item No.	Description	Position	Item No.	Description	Position	Item No.	Description	Position
AF743	Cabinet for 50096	1	AA324	Carel Temperature Controller-PYGX-AZ0586 for 50096	19	AF090	K Strip-3 Holes for 50096	40
AM692	Top Board for 50096	2	AF080	Stand Off Bracket for 50096	20	AF089	K Strip-2 Holes for 50096	41
AF755	Right Door for 50096	3	AF085	Compressor Unit Track for 50096	21	26884	K Clip for 50096	42
AB197	Gasket for 50096	4, 10	AF749	Inner Drain Pan for 50096	22	AB220	Shelf for 50096	43
AA388	Axis Cover for 50096	5	AF738	Evaporator Cover Sticker for 50096	23	AB221	Evaporator for 50096	44
AA955	Left/Right Spring Hinge for 50096	6	AF739	Evaporator Cover Sticker for 50096	24	AF752	Fan Motor Installation Board for 50096	45
AA360	Hinge T for 50096	7	AF106	Compressor Unit Installation Board for 50096	25	AE901	Evaporator Fan Motor for 50096	46
AF070	Hinge X for 50096	8	AA874	Outer Drain Pan for 50096	26	AB169	Foaming Hole Cover for 50096	47
AF756	Left Door for 50096	9	AA210	Condenser for 50096	27	AA133	Drain Hose for 50096	48
61468	Hinge V for 50096	11	AF030	Evaporator Fan Motor for 50096	28	AA135	Power Cord for 50096	49
AB200	Hinge W for 50096	12	AA207	Condenser Fan Motor Cover for 50096	29	AA379	Temperature Probe for 50096	50
AF747	Castor Support B for 50096	13	AA208	Condenser Fan Blade for 50096	30	AA596	Thermometer for 50096	51
AF734	Castor Support C for 50096	14	AB595	Filter Fixer for 50096	31	AF757	Air Flue Board for 50096	52
AF748	Castor Support A for 50096	15	AB594	Filter D25x160-B for 50096	32	AB084	Evaporator Temperature Sensor for 50096	53
26246	Caster with Brake for 50096	16	AE876	Compressor for 50096	33	AB247	Defrost Heater for 50096	54
26247	Caster without Brake for 50096	17	AF750	Back Grill for 50096	38			
AB320	Thermostat Installation Board for 50096	18	AF751	Evaporator Cover for 50096	39			